

TECHNICAL FILE:

French socket



1.- Technical specifications

Rated voltage: 230 V ~

Rated current: 16 A

Manufactured according CEI 60.884-1 standard

Flush mounting in universal box according EN-60-670 standard

Screw terminals (accepts from 1 mm² to 2 X 2.5 mm² cross section cable)

Any plate combination can be produced combining switches, sockets, dimmers,...

Any plate size according to your requirements.

2.- Material characteristics

Body: Polycarbonate

Glow wire test: 850 °C

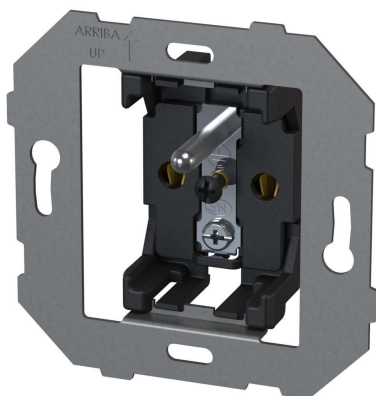
Terminals: Brass CuZn33

Screws: Steel CQ15. Slotted Phillips pan head. Metric thread M3.5

Shutters (child protection) included

Plate: AISI 304 Stainless steel, aluminium, brass and Corian®.

Frame: Zamak (optional)



Height dimensions (size in mm)

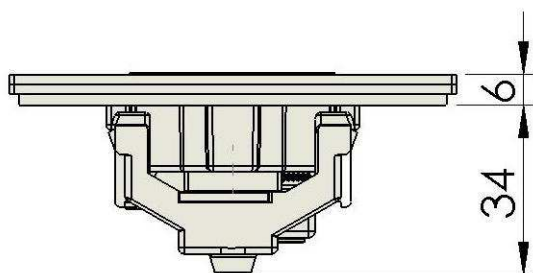


Plate dimensions (size in mm)

